

Remote Starter Installation & Operating Instructions



Espar Products, Inc.

6435 Kestrel Road
Mississauga, Ontario
Canada L5T 1Z8

17672 Laurel Park Drive North
Suite 400E
Livonia, Michigan
United States
48152-3984

Canada (Tel): 905-670-0960

800-668-5676

Fax: 905-670-0728

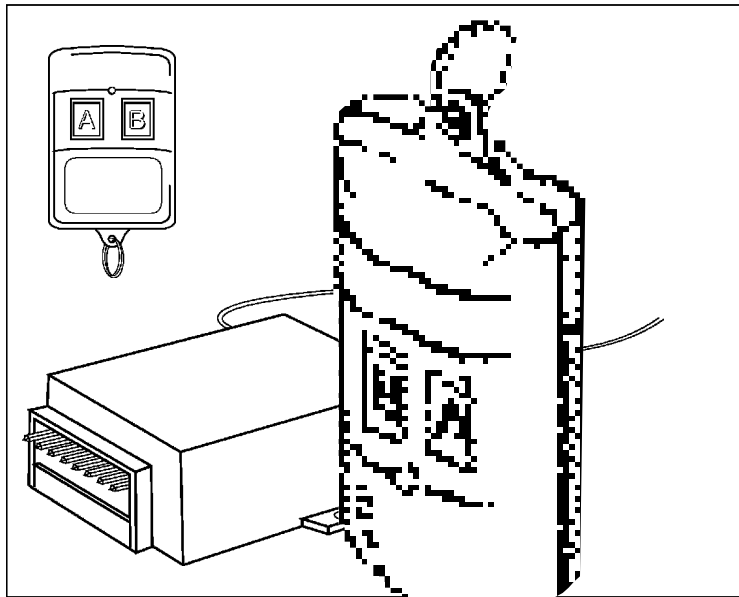
U.S. (Tel): 800-387-4800

www.espar.com
inquiries@espar.com

Member of Eberspächer GmbH Group of Companies

Applicable to all heaters
using the 7-day timer

P/N CA1 00 150

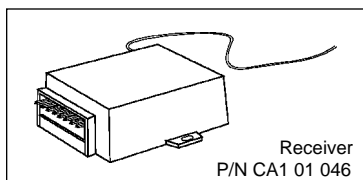


P/N 603-105-1098

Installation Instructions

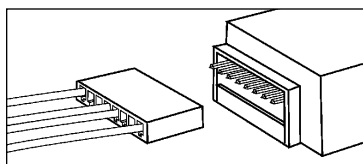
The remote starter has been introduced to offer a simple and convenient way to turn on the heater system within 300 feet of the heater. This remote starter can be connected to the existing harness of the 7 day timer or to the timer directly. See schematics on inside page.

1 Mount the receiver in a suitable place under the dash near the operating switch of the heater.



2 Run and secure the antenna as high in the vehicle as possible, keeping it away from metal surfaces.

3 Connect the harness to the receiver and connect the other end to the operating switch harness of the heater. See schematics on inside page.




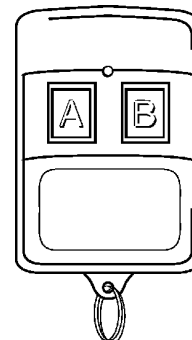
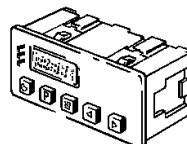
Operating Instructions

7 Day Timer

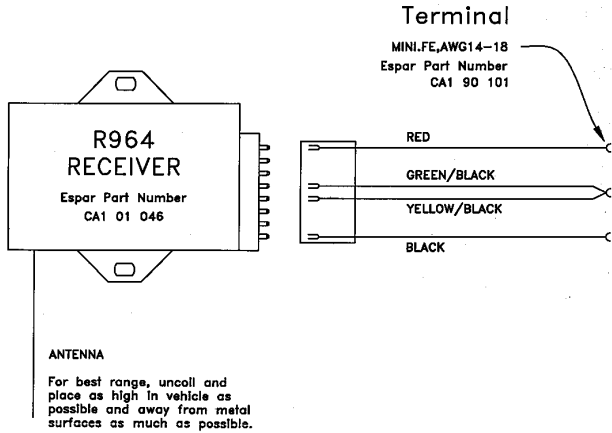
Either the "A" or "B" button will turn the heater on and/or off.

Control transmitter
P/N CA1 01 047

Note: After turning the heater on via remote starter, you may, at anytime turn the heater off with the off button  on the 7 day timer.



7 Day Timer



7 day timer only

P/N: 22 1000 30 36 00 (coolant)
 P/N: 22 1000 30 40 00 (air)

Remote A - green wire } pin 7 on timer
 Remote B - yellow wire }
 Power - red wire } pin 11 on timer
 Ground - black wire } pin 4 or pin 12 on timer

7 day timer with relay

Coolant heaters

P/N: CA1 00 135 (coolant heater 12V)
 P/N: CA1 00 135 (coolant heater 24V)

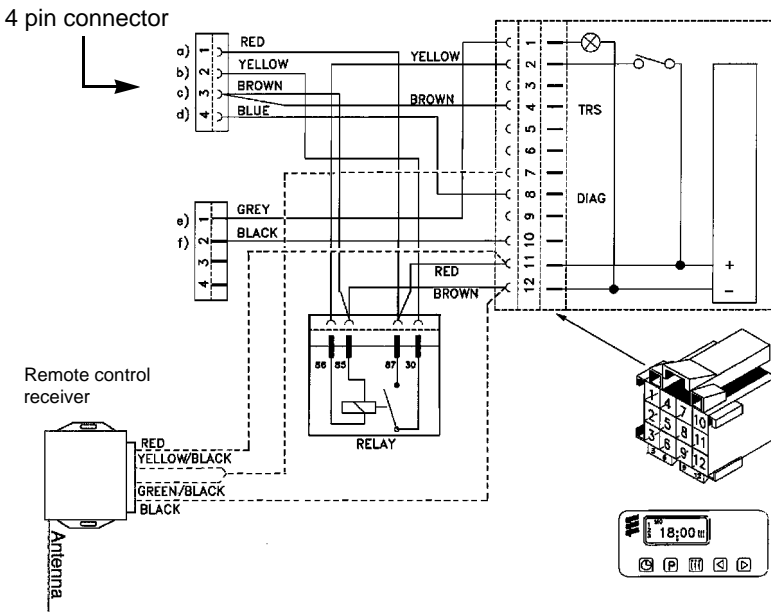
Remote A - green wire } pin 7 on timer
 Remote B - yellow wire }
 Power - red wire } pin 1 on 4 pin connector
 Ground - black wire } pin 3 on 4 pin connector

Air heaters

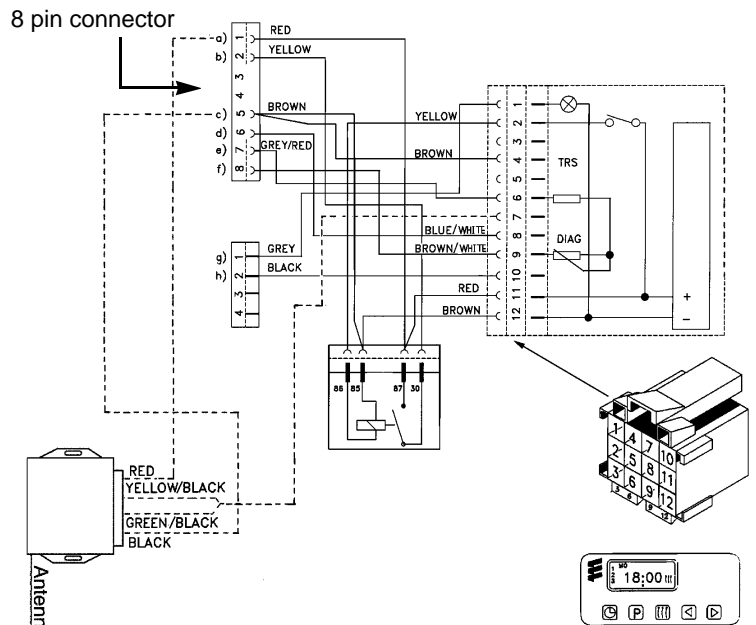
P/N: CA1 00 137 (air heater 12V)
 P/N: CA1 00 138 (air heater 24V)

Remote A - green wire } pin 7 on timer
 Remote B - yellow wire }
 Power - red wire } pin 1 on 8 pin connector
 Ground - black wire } pin 5 on 8 pin connector

Coolant Heater Timer Connections



Air Heater Timer Connections



This eg.shows the remote receiver terminated directly to heater, terminations can also take place at the harness connectors. See descriptions above.